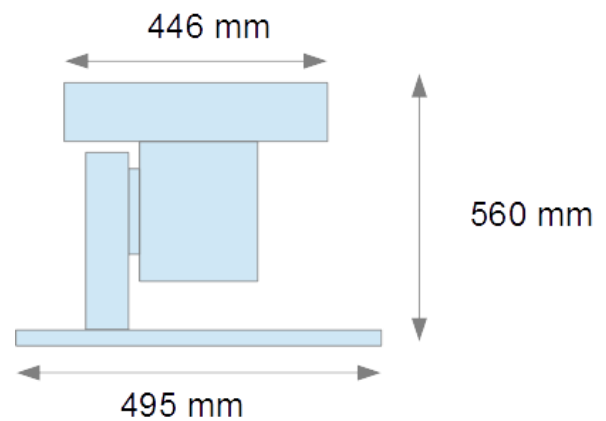




## Electromechanical Pakita Siren *single-phase LM type*



- Weight : 55 kg
- Head in Aluminum AS10G
- Motor : - single-phase 230V– 2750 rpm
- Sound power : 115 dBA at 10 meters
- Sound : 380Hz - Sharp F – 3<sup>rd</sup> octave
- Options :
  - Elevating base
  - Loudspeaker horns
  - Navy blue paint